

Recessed Fixtures Technical Specification

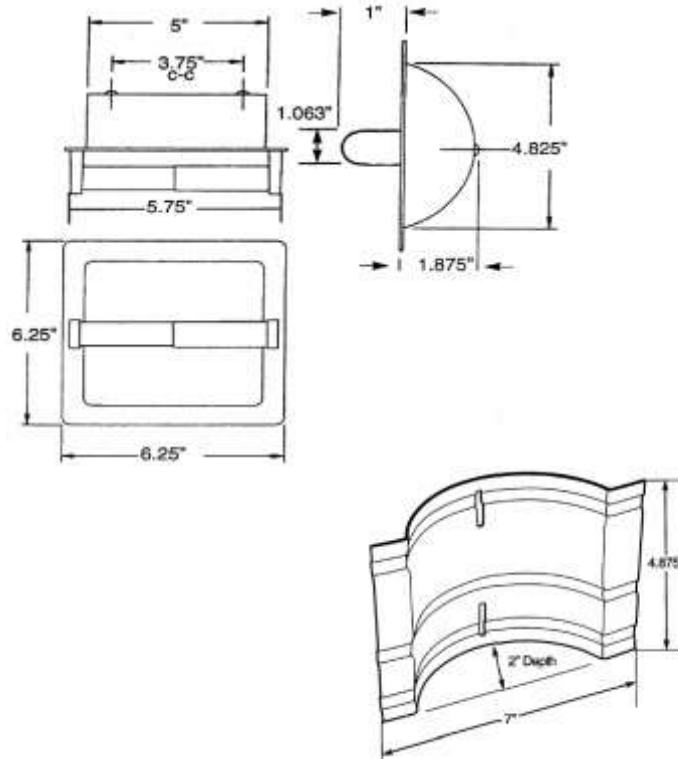
Recessed Paper Holder w/ Clamp

DN5075

Stock Numbers:

- DN5075 – Recessed Paper Holder w/ Clamp
- DN5075W – Recessed Paper Holder w/ Clamp
Glacier Finish

Dimensions:



Materials:

Recessed Paper Holder shell is stamped from a special alloy brass strip and finished with a triple plated polished chrome finish with a lacquer coat for added protection. Roller is plastic and spring loaded.
Installation C-Clamp is stamped from type 304 steel.

Installation Instructions:

1. Cut a square hole into wall measuring 5 1/4" x 5 1/4".
2. Loosely attach both screws through the recess item into the slots on the clamp.
3. Slide the wall clamp through the wall opening angling it through the opening if necessary.
4. Position the recess item until flush with the wall and tighten both screws.

Cleaning Instructions:

To preserve the fine finish of this product, clean only with a soft damp cloth. Dry well. Do not use commercial or abrasive cleaners.

Stock Number: _____ **Recessed Paper Holder** By Creative Specialties



25300 AL MOEN DRIVE • NORTH OLMSTED, OH 44070
CORPORATE HEADQUARTERS: (800) 321-8809 • FAX: (800) 848-6636
INTERNATIONAL: (440) 962-2000 • FAX: (440) 962-2726
CUSTOMER SERVICE (USA): 800-882-0116 • FAX: (888) 379-2720
WWW.MOEN.COM

©Copyright Creative Specialties International

Literature #BA1697