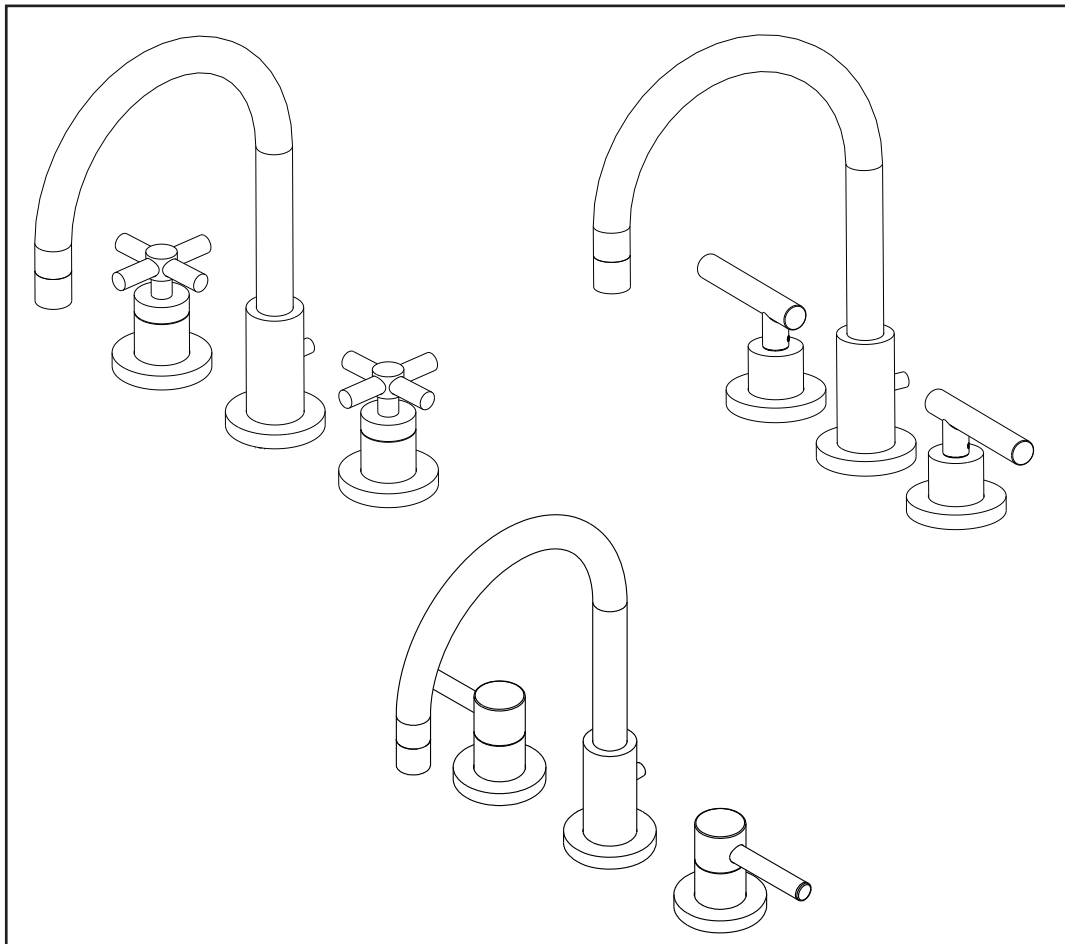


INSTALLATION INSTRUCTIONS
WIDESPREAD LAVATORY SET
Model No: 990, 990L, 1500

NEWPORT BRASS.
Flawless Beauty. From Faucet to Finish.™

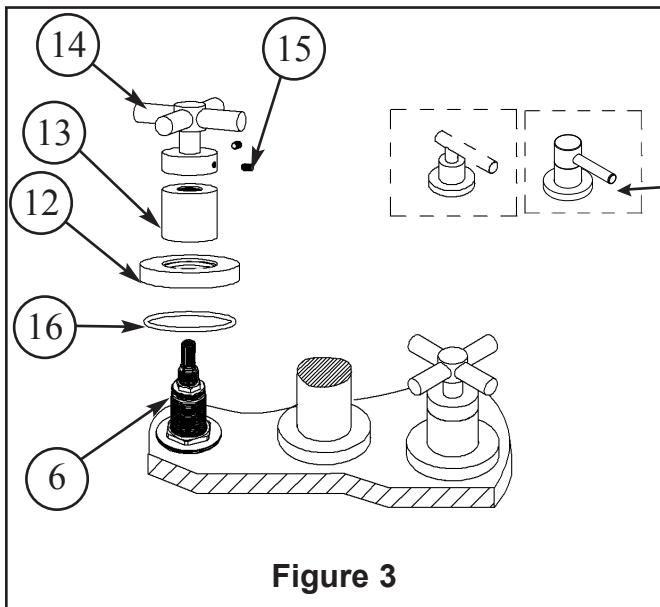
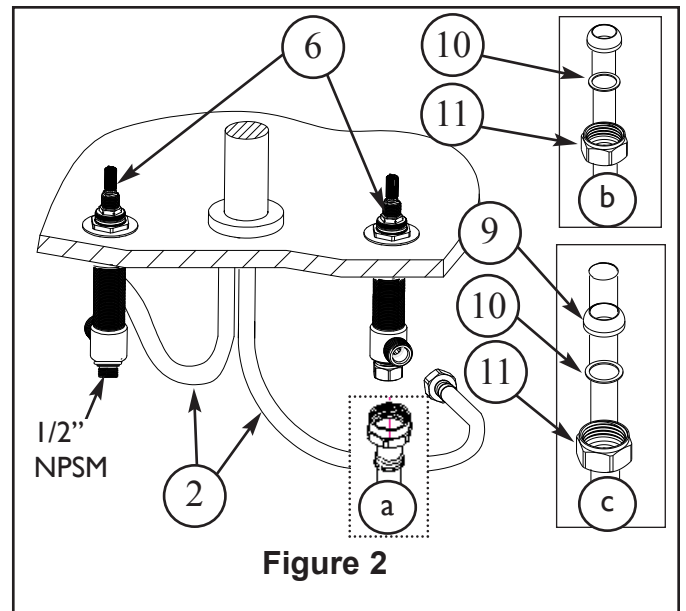
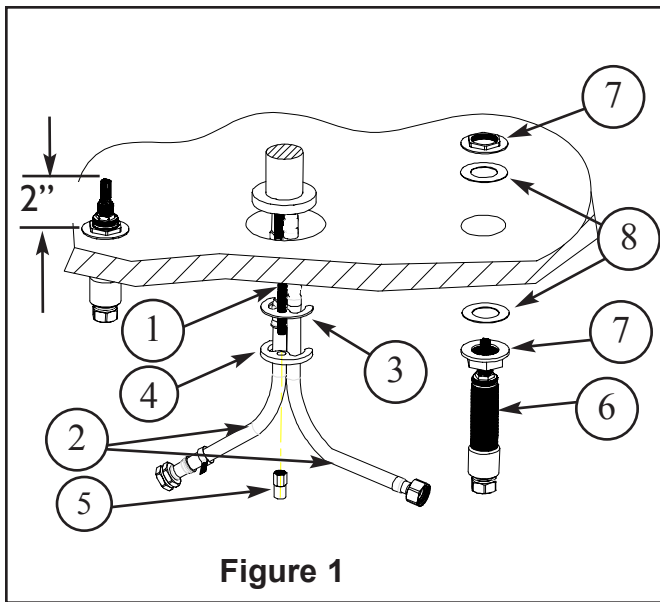


**Congratulations on the purchase
of this Newport Brass product,
an excellent choice, that will give you
years of quality service and enhance
the look and style of your home.**

Recommended Installation by a Professional Plumbing Contractor

Note: The use of petroleum base plumbers putty on our products will nullify the warranty. We recommend the use of clear silicone sealing materials. Recommended deck thru hole \varnothing 1.38"

1. Place the spout's threaded ROD (1) and HOSES (2) through center hole of mounting surface. Secure spout into place with rubber GASKET (3), mounting CRESCENT (4) and NUT (5). See Figure 1.
2. Place NUT (7) and WASHER (8) on valve BODY (6). Insert BODY (6), (blue cold & red hot), through hole in the mounting surface. Adjust and secure with additional WASHER (8) and NUT (7) so that the top of valve is 2" above the top of mounting surface. See Figure 1.
3. Connect HOSES (2) to side outlet of each valve BODY (6). Hand-tighten and secure each connection with a wrench $\frac{1}{4}$ turn. See Figure 2.
5. Connect hot/cold water supply to appropriate $\frac{1}{2}$ " NPSM valve BODY (6), utilizing one of the three following types of risers. Supply risers not included. See Figure 2.
 - a. $\frac{1}{2}$ " IPS flexible riser: discard rubber nosecone WASHER (9), friction WASHER (10) and coupling NUT (11).
 - b. $\frac{3}{8}$ " or $\frac{1}{2}$ " OD bullnose riser: utilize friction WASHER (10) and coupling NUT (11).
 - c. $\frac{1}{2}$ " copper riser: utilize rubber nosecone WASHER (9), friction WASHER (10) and coupling NUT (11).
5. Insert O-RING (16) to underside of ESCUTCHEON (12). Place ESCUTCHEON (12) and BONNET (13) onto cartridge. Place HANDLE (14) over cartridge stem. Any adjustments for rotational alignment must be made to the valve BODY (6) – not to the cartridge. (Note: Allow minimum spacing between HANDLE (14) and BONNET (13) to prevent damage to the surface finish.) Secure HANDLE (14) into place with SETSCREW (15). See Figure 3.
6. Remove drain PLUG (17) from FLANGE (18). Place FLANGE (18) and white WASHER (19) through sink drain opening. (Clear silicone may be used in place of white washer.) From bottom side of sink, place cone shaped rubber WASHER (20) onto FLANGE (18) and slide up against sink bottom. Note: Cone portion of washer to face upward. Next slide on clear flat WASHER (21) and secure with flange NUT (22). Place clear WASHER (23) into drain BODY (24) and tighten to FLANGE (18). Apply thread sealant to TAILPIECE (25) and attach to drain BODY (24). Attach TAILPIECE (25) to p-trap drain (not included). See Figure 4.
7. Place drain PLUG (17) into FLANGE (19). Remove pop-up KNOB (26) from ROD (27) and insert pop-up ROD (27) through spout. Reattach pop-up KNOB (26) to ROD (27). Secure ROD (27) to STRAP (28), approximately 1" from end of ROD (27), with SCREW (29). Insert ball ROD (30) into the drain's rod opening, secure with ball rod NUT (31). Adjust the rise of the plunger and CLIP (32) into place. Adjust ball ROD (31) and pop-up ROD (27) so drain will open and close properly. See Figure 5.
8. Remove AERATOR (33) from spout, turn on water supply, and flush both valves until water is clear. Check for leaks and make any final adjustments required. Re-attach AERATOR (33) to the spout.



Installation typical for
lever handle

