



**Features**

- Alcove installation
- 18" apron
- Vikrell material
- Right drain
- Pivot snap-together modular design
- Tile look
- No caulk required
- Corner shelves
- Stainless steel grab bars
- Bath seat on left

**Included Components**

Product consists of:

- 71154123 60" x 32" ADA Wall Set with Grab Bars
- 71151124 60" x 32" Bath with Seat



**ADA**

**Codes/Standards**

- CSA B45.5/IAPMO Z124
- ASTM E162
- ASTM E662
- Greenguard UL 2818 - Gold
- ADA
- ICC/ANSI A117.1
- HUD, UM Bulletin 73

**Warranty – Bathing Fixtures (and) Kitchen and Utility Sinks Made of Solid Vikrell® Material**



**STERLING® Warranty - Grab Bars**

**STERLING® Warranty - Bathing & Showering Seats**

See website for detailed warranty information.

**Available Colors/Finishes**

*Color tiles intended for reference only.*

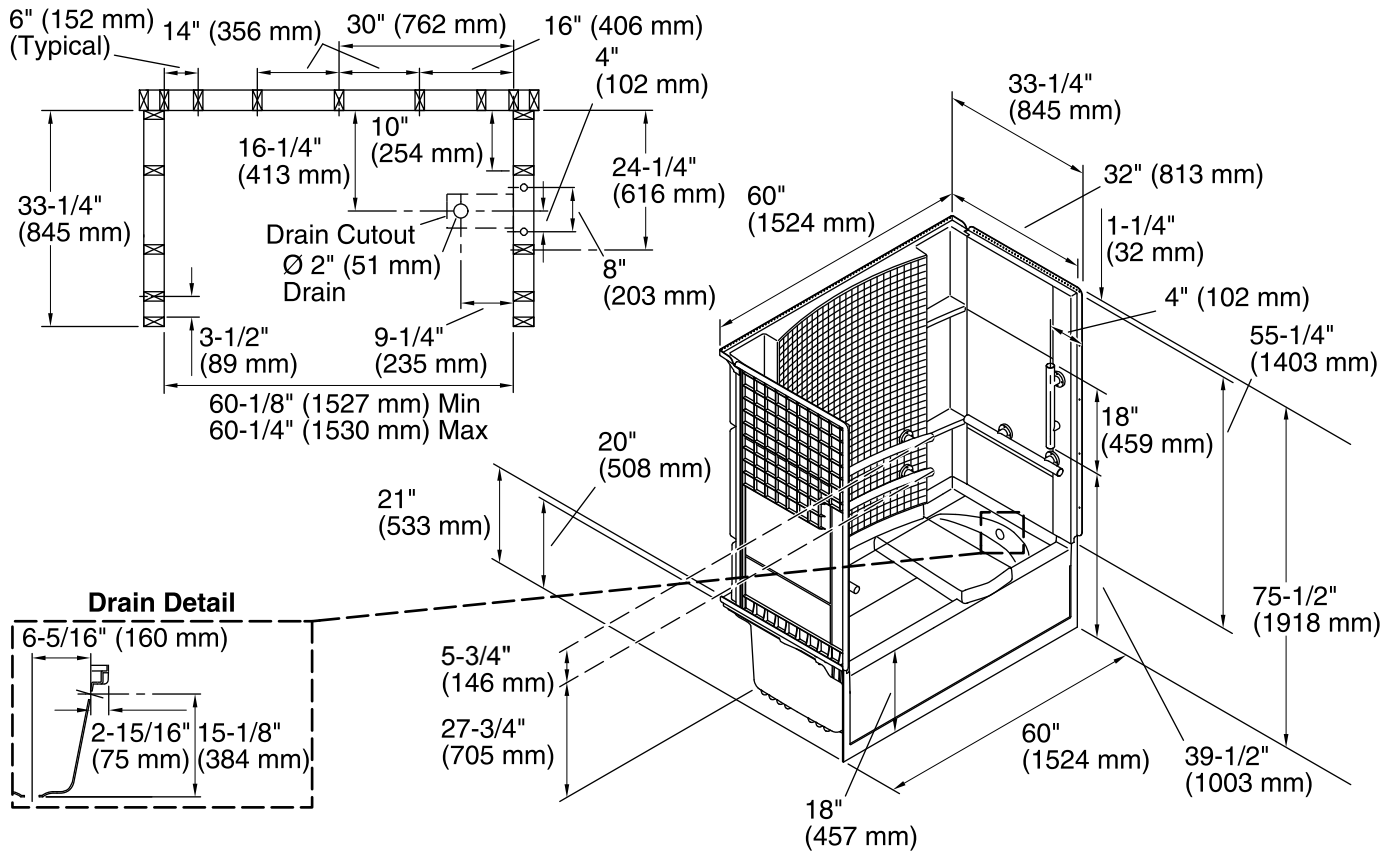
Color	Code	Description
	0	White
	96	KOHLER Biscuit

# STERLING®

A KOHLER COMPANY

## Accord®

### 60" x 32" ADA Bath/Shower 71150125



### Technical Information

All product dimensions are nominal.

Installation:	Three-wall alcove
Drain location:	Right
Basin area, bottom:	21-1/2" x 46-1/8" (546 mm x 1172 mm)
Basin area, top:	23" x 51" (584 mm x 1295 mm)
Water depth:	13-1/8" (333 mm)
Water capacity:	56 gal (212 L)
Maximum door height:	55-7/8" (1419 mm)
Maximum door width:	56-3/4" (1441 mm)

### Notes

Install this product according to the installation instructions.

Studs should be positioned roughly as shown. Double studding is recommended for pivot shower door installations.

ADA compliant when installed to the specific requirements of these regulations.

1-800-STERLING (1-800-783-7546)

Kohler Co. reserves the right to make revisions without notice to product specifications.

For the most current Specification Sheet, go to [www.sterlingplumbing.com](http://www.sterlingplumbing.com).

4-26-2019 00:24 - US