



# Accord®

## 60" x 30" ADA Smooth Bath/Shower

### 71240115



#### Features

- Alcove installation
- 17-1/4" apron
- Solid Vikrell material
- Left drain
- Pivot snap-together modular design
- Smooth, high-gloss walls
- No caulk required
- Four corner shelves
- Stainless steel grab bars and bath seat

#### Included Components

Product consists of:

- 71244113 60" x 30" ADA Wall Set with Grab Bars
- 71141114 60" x 30" ADA Bath



**ADA**

#### Codes/Standards

ASTM E162  
ASTM E662  
Greenguard UL 2818 - Gold  
ADA  
ICC/ANSI A117.1  
HUD, UM Bulletin 73



#### Warranty – Bathing Fixtures (and) Kitchen and Utility Sinks Made of Solid Vikrell® Material

**STERLING® Warranty - Grab Bars**  
**STERLING® Warranty - Bathing &  
Showering Seats**

See website for detailed warranty information.

#### Available Colors/Finishes

*Color tiles intended for reference only.*

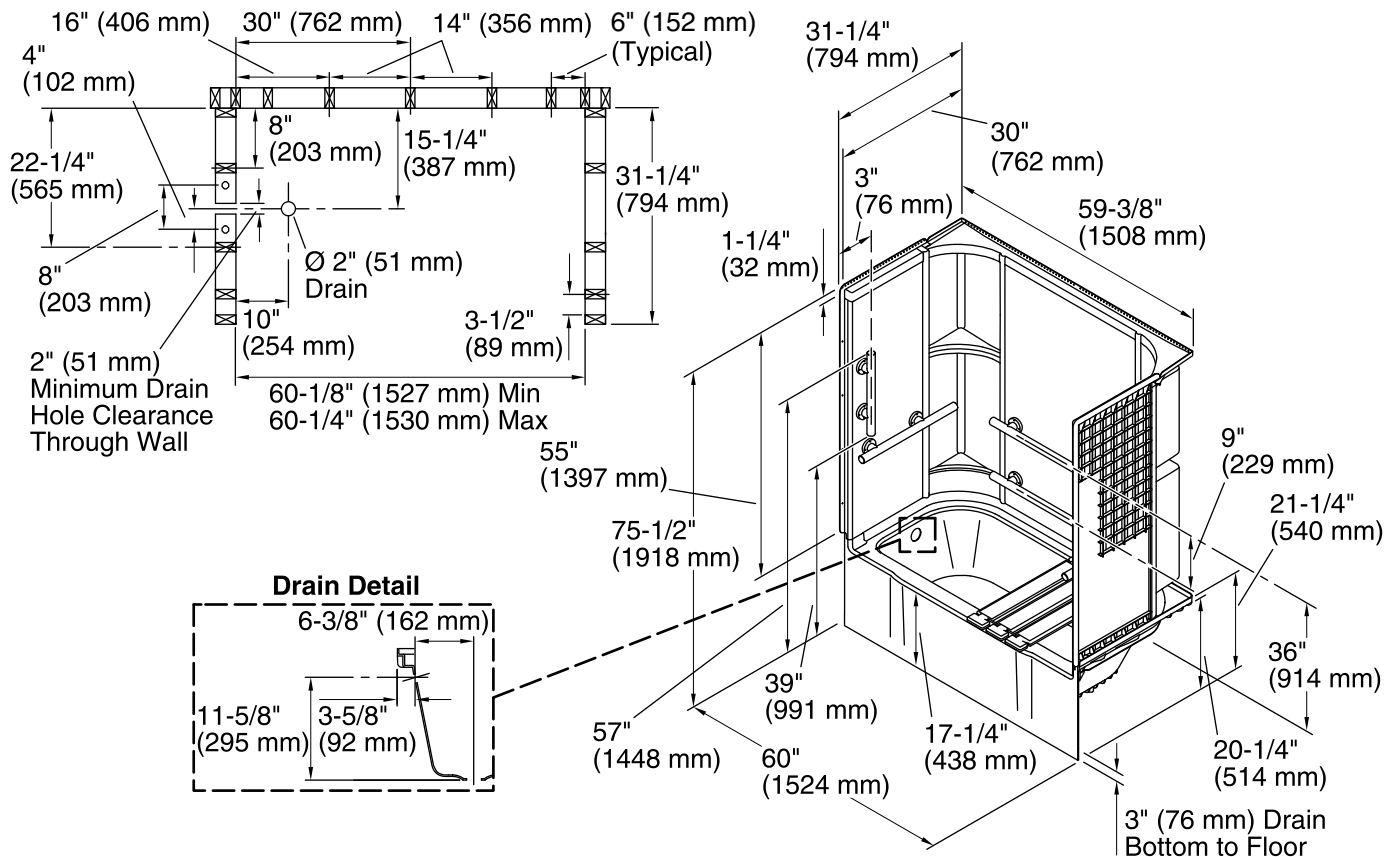
Color	Code	Description
	0	White
	96	KOHLER Biscuit

1-800-STERLING (1-800-783-7546)

Kohler Co. reserves the right to make revisions without notice to product specifications.

For the most current Specification Sheet, go to [www.sterlingplumbing.com](http://www.sterlingplumbing.com).

4-26-2019 00:30 - US



#### Technical Information

All product dimensions are nominal.

Installation:	Three-wall alcove, Seated alcove
Drain location:	Left
Basin area, bottom:	46-1/4" x 20-1/2" (1175 mm x 521 mm)
Basin area, top:	52-1/4" x 22-1/2" (1327 mm x 572 mm)
Water depth:	11" (279 mm)
Water capacity:	34 gal (128.7 L)
Maximum door height:	56-3/4" (1441 mm)
Maximum door width:	56-1/2" (1435 mm)

#### Notes

- Install this product according to the installation instructions.
- Product is designed to be used with a single-hole mixer valve with an escutcheon cover not to exceed 7-3/4" (197 mm) in width.
- Studs should be positioned roughly as shown.
- Double studding is recommended for pivot shower door installations.
- Bath cannot be installed without the wall surround.
- Width of back wall at the top transitions from 60" (1524 mm) at the front to 59-3/8" (1508 mm) in the back corners. Furring strips approximately 1/4" (6 mm) thick should be used at the back corner studs if drywall is to be installed over the nailing flange.
- ADA compliant when installed to the specific requirements of these regulations.