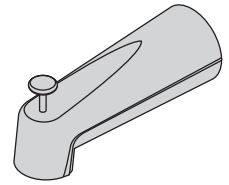

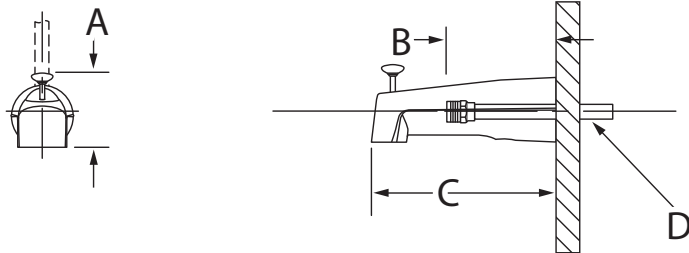


352TS
Dia™ Diverter Tub Spout
Operation & Maintenance Manual



Model Number	Specifications
<input type="checkbox"/> 352TS <i>Dia Diverter Tub Spout</i>	7" diverter tub spout made from metal and plastic materials plated in standard polished chrome finish.
Modifications	Compliance
<input type="checkbox"/> -STN <i>Satin nickel finish</i>	-ASME A112.18.1/CSA B125.1 
<p>Note: Append appropriate -suffix to model number.</p>	Warranty
	<p>Limited Lifetime - to the original end purchaser in consumer installations. 5 Years - for commercial installations.</p> <p>Refer to www.symmons.com/warranty for complete warranty information.</p>

Dimensions



Measurements	
A	Ø 2 1/2", 64 mm
B	4 3/4", 121 mm
C	7", 178 mm
D	1/2"-14 NPT

Required for Installation	
Teflon Tape	

Note: Dimensions are subject to change without notice.

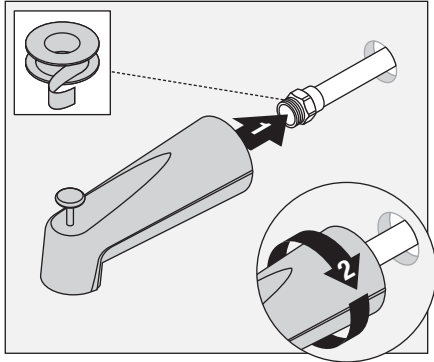
352TS

Dia™ Diverter Tub Spout

Operation & Maintenance Manual

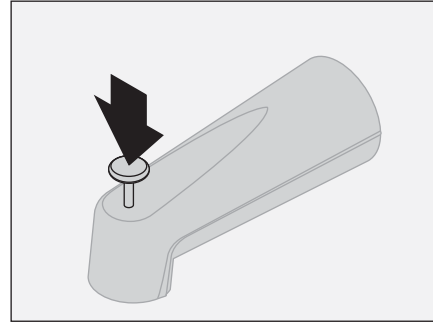
Installation

- 1) Install diverter tub spout onto 1/2" NPT stub out pipe. Turn clockwise to secure.

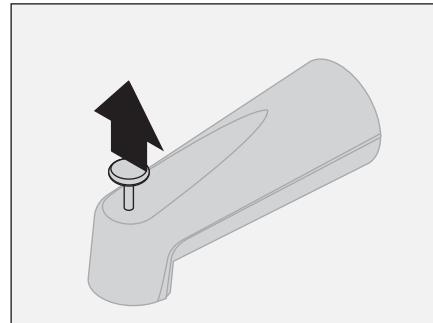


Operation

- 1) Diverter lever in down position for tub spout operation.



- 2) Diverter lever in up position for shower operation.



Care and Cleaning

- 1) Clean finished trim area with a soft cloth using mild soap and water or a non-abrasive cleaner and then quickly rinse with water.